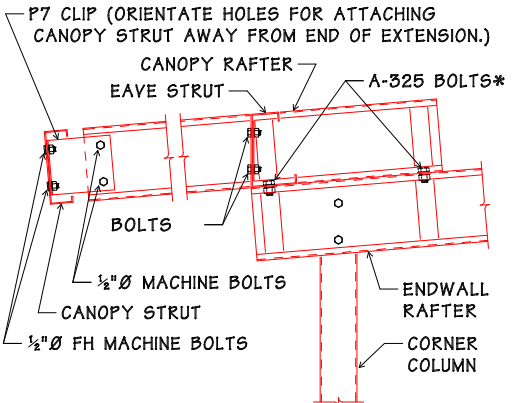
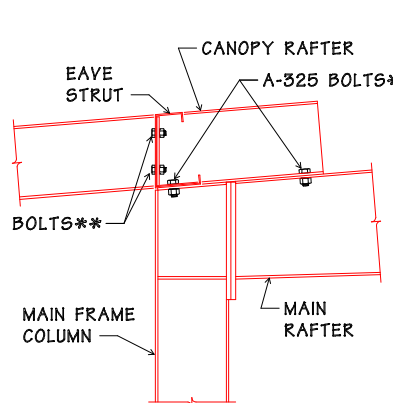
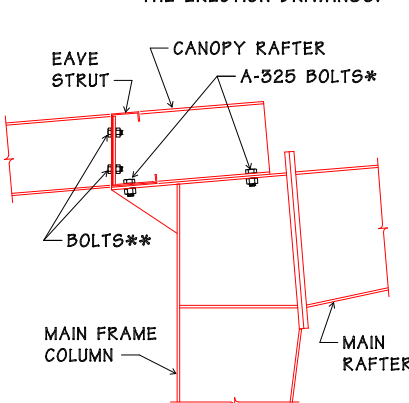


- \* NOTES:**
- 1.) USE A325 FLAT WASHERS TO LEVEL CANOPY RAFTER.
  - 2.) 1/2" Ø MACHINE BOLTS UNLESS NOTED OTHERWISE ON THE ERECTION DRAWINGS.



|  |                                      |                                     |
|--|--------------------------------------|-------------------------------------|
| <p>TYLER<br/>BUILDING SYSTEMS, L.P.<br/>P.O. BOX 130819 • TYLER, TEXAS 75713</p> | <p><b>ERECTION STANDARDS</b></p>     | <p>DRAWING</p> <p><b>ES-200</b></p> |
|  | <p><b>EAVE EXTENSION DETAILS</b></p> |                                     |