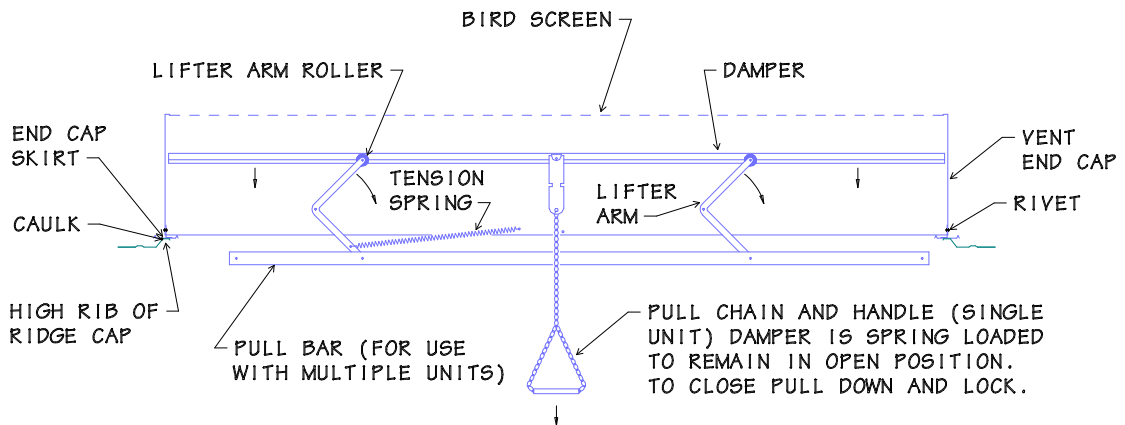
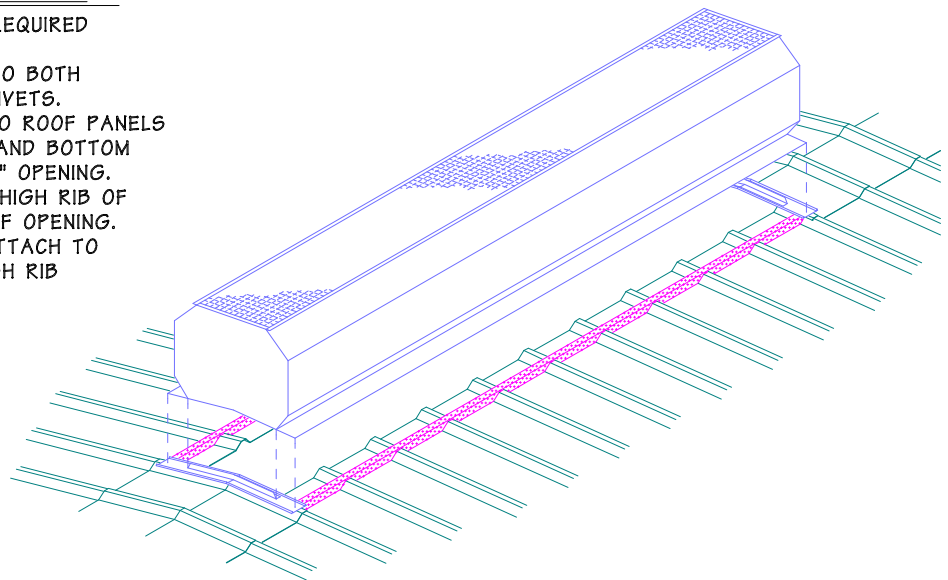
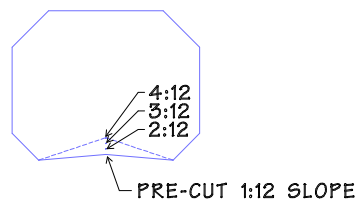


INSTALLATION PROCEDURE

1. FIELD CUT END CAPS FOR REQUIRED ROOF SLOPE.
2. ATTACH END CAP SKIRTS TO BOTH ENDS OF VENT WITH POP RIVETS.
3. APPLY OUTSIDE CLOSURE TO ROOF PANELS WITH SEALANT STRIP TOP AND BOTTOM ALONG EACH SIDE OF 10'-0" OPENING.
4. APPLY SEALANT STRIP TO HIGH RIB OF RIDGE CAP AT EACH END OF OPENING.
5. SET VENT IN PLACE AND ATTACH TO ROOF PANELS AT EACH HIGH RIB WITH 1/4" SCREWS.

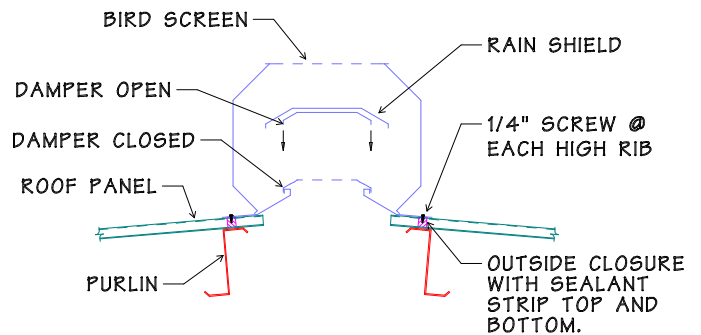


DETAIL



END CAP MODIFICATION DETAIL


FOR ROOF SLOPE GREATER THAN 1:12



SECTION

NOTE: END CAP IS FACTORY CUT FOR 1:12 ROOF SLOPE. THREE DOTS INDICATE 2:12, 3:12 AND 4:12 SLOPES. FIELD CUT FOR REQUIRED ROOF SLOPE.

NOTE: THIS TYPE OF VENT IS NOT RECOMMENDED FOR USE ON BUILDINGS WITH ROOF SLOPES LESS THAN 1:12 OR STANDING SEAM ROOF SYSTEMS.

 <p>TYLER BUILDING SYSTEMS, L.P. P.O. BOX 130819 • TYLER, TEXAS 75713</p>	ERECTION STANDARDS	DRAWING
	RIDGE VENT INSTALLATION	ES-220