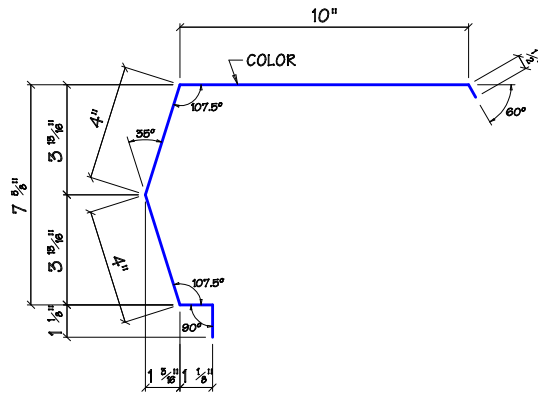
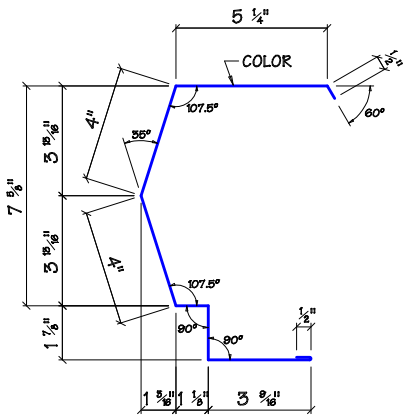


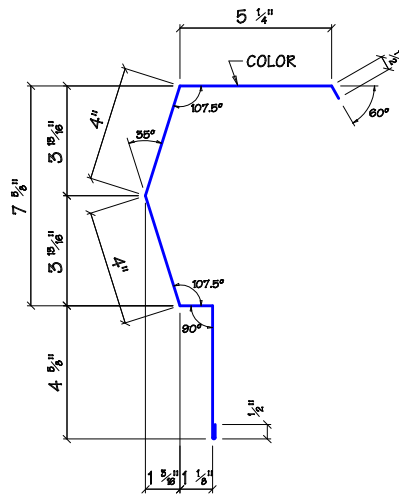
**RAKE TRIM - MK T1**



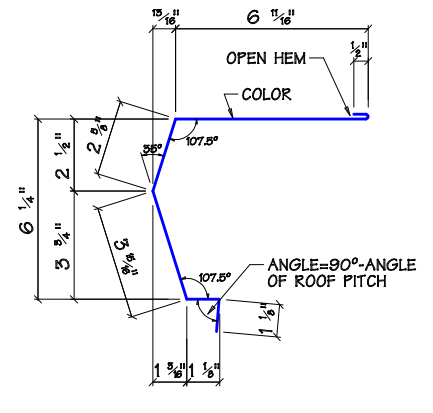
**RAKE TRIM - MK T2**  
(FOR MASONRY)



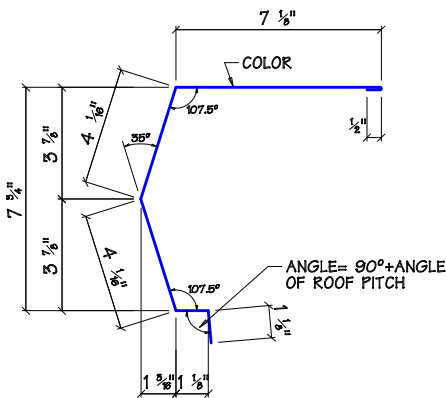
**RAKE TRIM - MK T3**  
(OPEN ENDWALL OR PURLIN EXTENSION W/O SOFFIT)



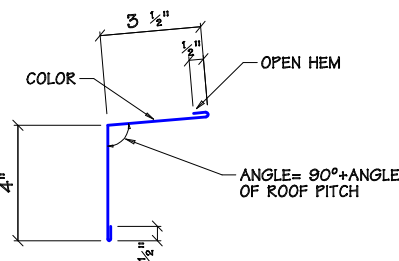
**RAKE TRIM - MK T4**  
(FOR TILT WALL)



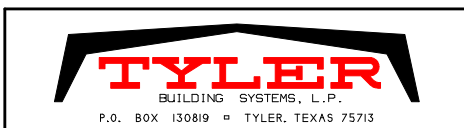
**EAVE TRIM - MK T5**



**EAVE TRIM - MK T6**  
(SINGLE SLOPE, HIGH SIDE)



**EAVE TRIM - MK T7**



STANDARD TRIM

TRIM DETAILS

DRAWING

ST-110