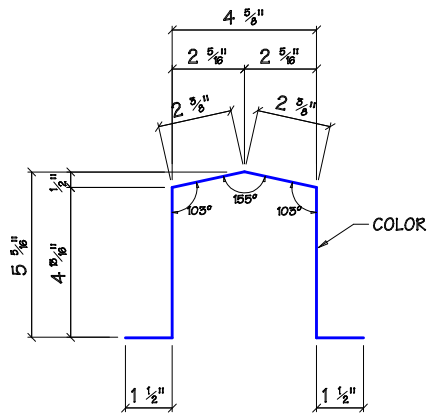
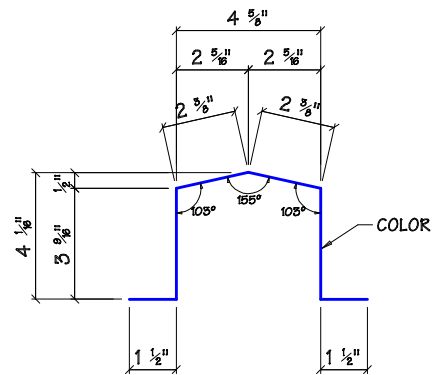


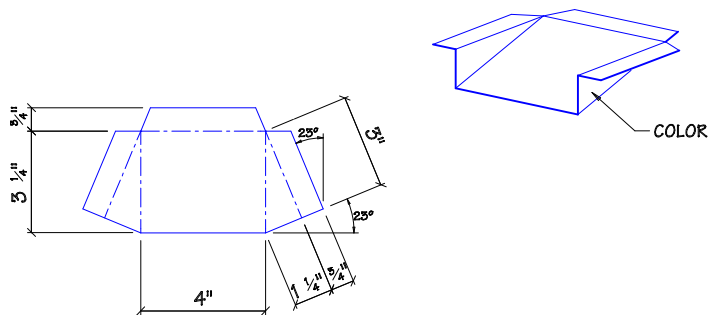
DOWNSPOUT RETURN - MK T15a & T15b
(EAVE EXTENSION)



DOWNSPOUT STRAP - MK T16
(STANDARD "R" PANEL)



DOWNSPOUT STRAP - MK T17
(FLUSH)



GUTTER SCUPPER - MK T18

 <p>TYLER BUILDING SYSTEMS, L.P. P.O. BOX 130819 • TYLER, TEXAS 75713</p>	STANDARD TRIM	DRAWING ST-112
	TRIM DETAILS	