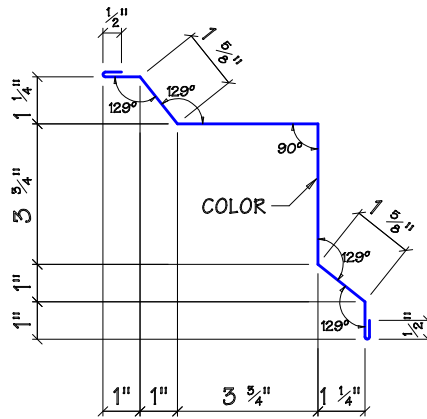
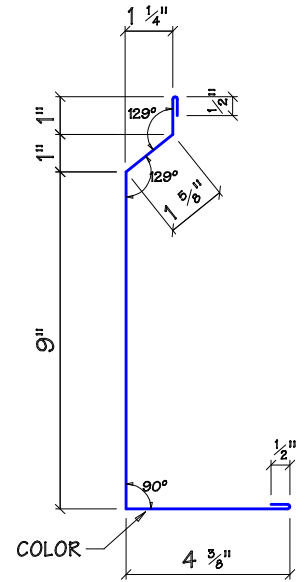


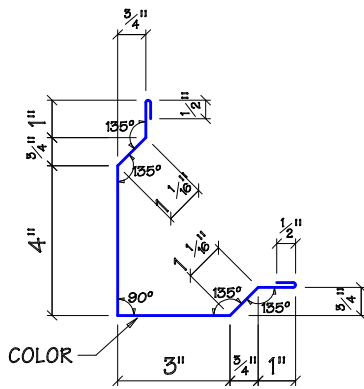
**CORNER TRIM - MK T20**  
("R" PANEL)



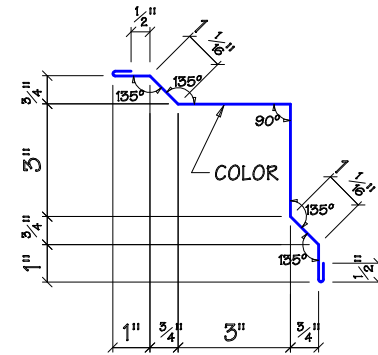
**INSIDE CORNER TRIM - MK T21**  
("R" PANEL)



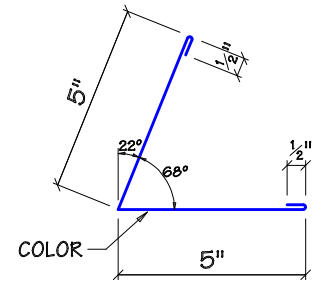
**CORNER TRIM - MK T22**  
("R" PANEL TO MASONRY)



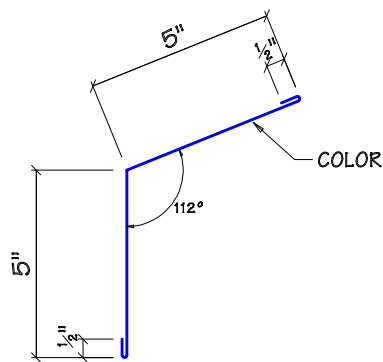
**CORNER TRIM - MK T23**  
("U" PANEL)



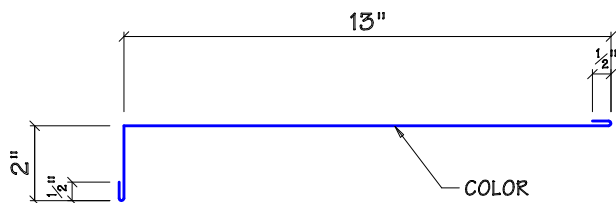
**INSIDE CORNER TRIM - MK T24**  
("U" PANEL)



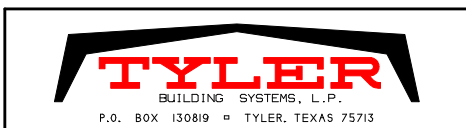
**CORNER TRIM - MK T25**  
("A" PANEL)



**INSIDE CORNER TRIM - MK T26**  
("A" PANEL)



**PARTITION INSIDE CORNER - MK T27**



STANDARD TRIM

TRIM DETAILS

DRAWING

ST-113