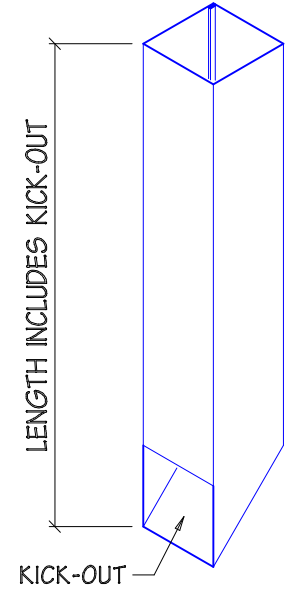
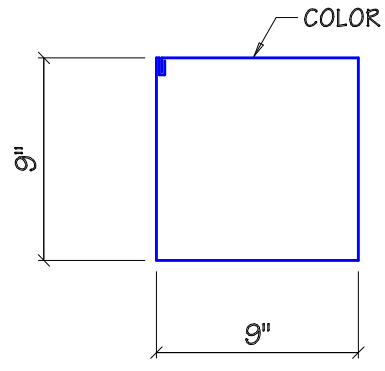


L = AS SHOWN  
 M = 1/16" OFF EACH DIMENSION  
 S = 1/8" OFF EACH DIMENSION

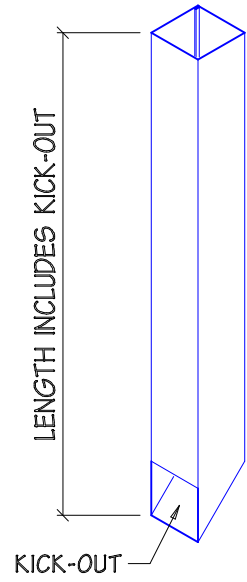
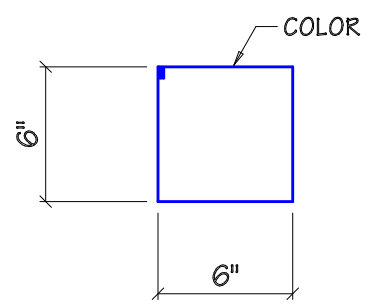
} SEE TRIM SHIPPER FOR SIZE REQUIRED



CONDUCTOR HEAD DOWNSPOUT - MK T95

L = AS SHOWN  
 M = 1/16" OFF EACH DIMENSION  
 S = 1/8" OFF EACH DIMENSION

} SEE TRIM SHIPPER FOR SIZE REQUIRED



CONDUCTOR HEAD DOWNSPOUT - MK T96

|  |               |                          |
|--|---------------|--------------------------|
| <br>TYLER<br>BUILDING SYSTEMS, L.P.<br>P.O. BOX 130819 • TYLER, TEXAS 75713 | STANDARD TRIM | DRAWING<br><b>ST-120</b> |
|  | TRIM DETAILS  |                          |